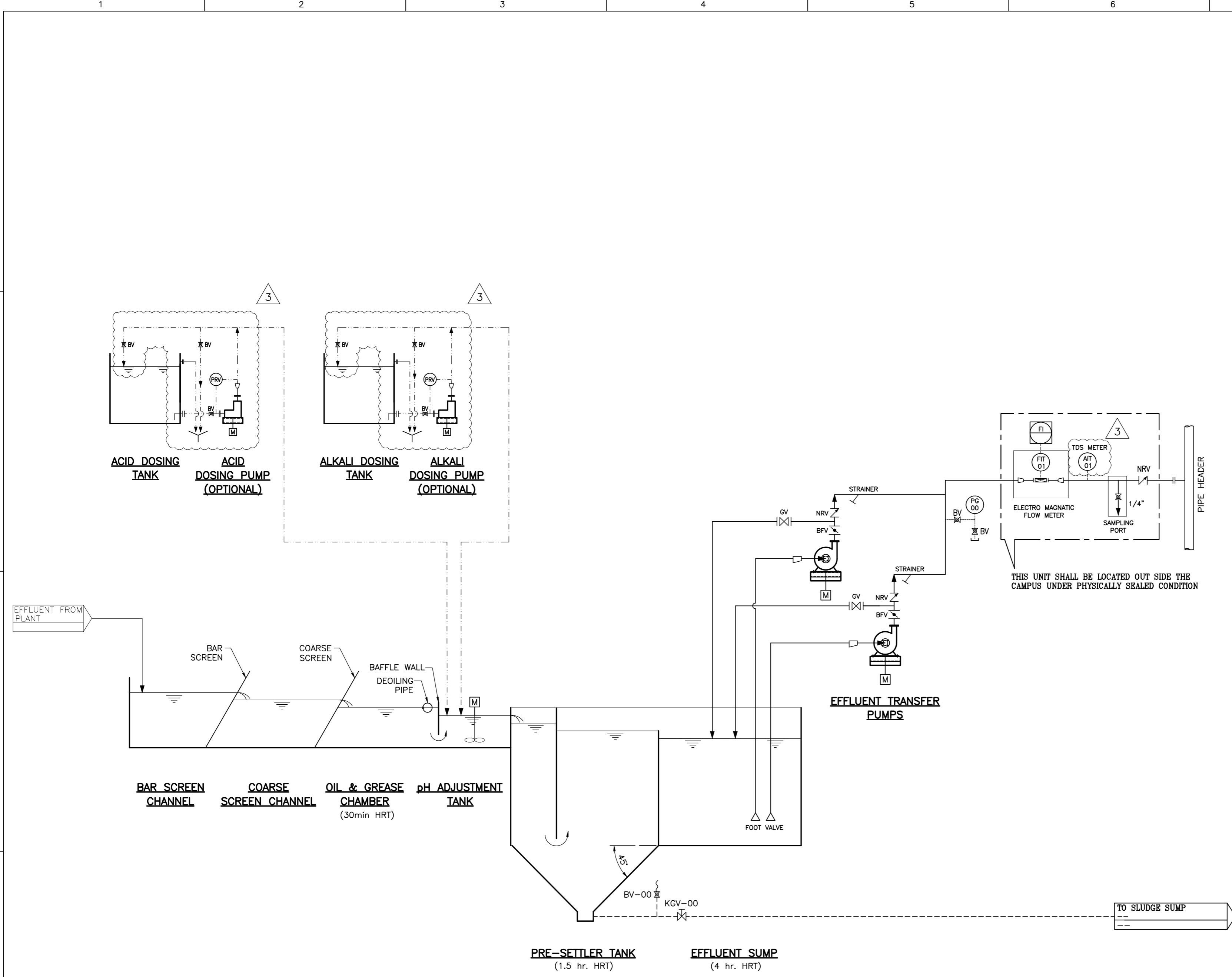
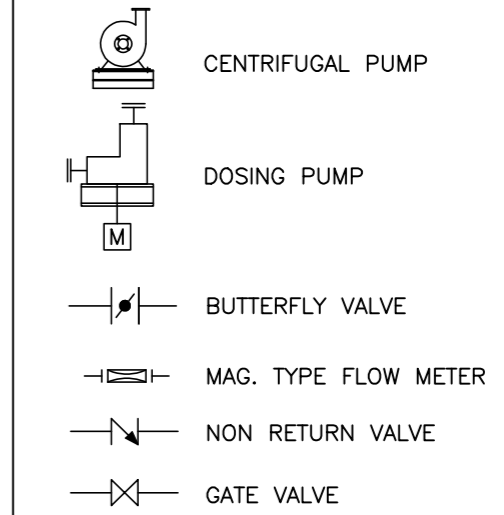


This drawing is the property of UPL Environmental Engineers Ltd. and must not be passed on to any person or body not authorised by us to receive it nor be copied or otherwise made use either in full or in part by such person or body without our prior permission in writing

NOTES:-

- a) NO SOLVENT SHOULD BE PRESENT IN EFFLUENT.
- b) EFFLUENT WITH HIGH ACIDITY & HIGH TEMPERATURE SHOULD BE AVOIDED.
- c) TO AVOID DRY RUN OF PUMP, LEVEL SWITCH TO BE PROVIDED IN SUMP.

LEGEND:-



3	09/04/14	REVISED AS PER COMMENTS	PVS	GMG	GMG
2	21/03/14	SUBMITTED FOR APPROVAL	PVS	GMG	GMG
1	31/01/14	SUBMITTED FOR APPROVAL	BBD	GMG	GMG
0	24/01/14	SUBMITTED FOR APPROVAL	BBD	GMG	GMG
REV. NO.	DATE	REVISION	DRAWN	CHK.	APPD.

UPL ENVIRONMENTAL ENGINEERS LTD.
 NEAR BANCO PRODUCT, PADRA ROAD, BIL VILLAGE
 VADODARA-391410 TEL: 3011800 FAX: 0265-3011883
 URL :- www.upleel.com

PROJECT : 25 MLD CETP AT BADDI HP

CLIENT : BADDI INFRASTRUCTURE

TITLE PIPING & INSTRUMENT DIAGRAM (INDUSTRY CONNECTION TO HEADER)	SCALE	NTS	
	DESIGNED	NP	
	DRAWN	BBD	
	CHECKED	GMG	
	APPROVED	GMG	
DATE		24/01/14	

JOB NO. 10134	DRAWING NO. 10134-DB-CP-03	REV. 3
CAD FILE NAME : Lem\Projects Under Execution\Baddi CETP-10134\QR-ENG-01 (REP)\BEP Drawings\PIPING\10134-DB-CP-03		A3